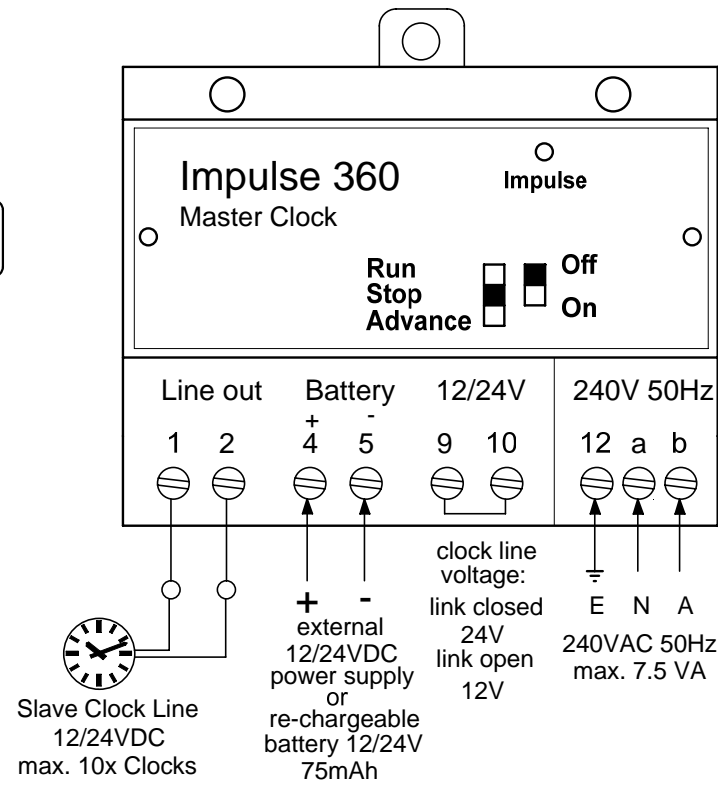
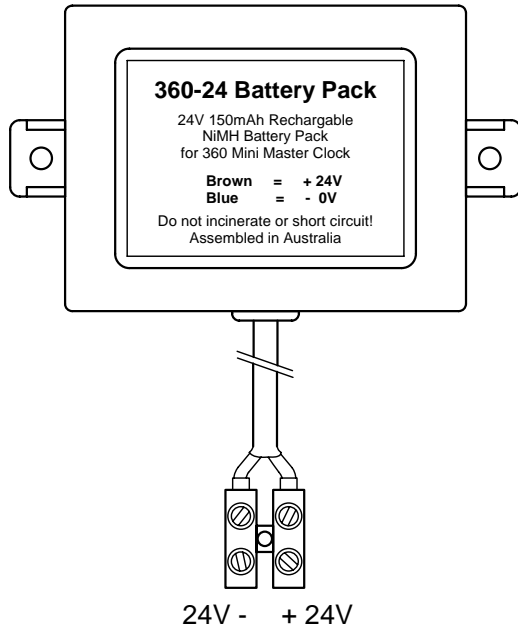


JOB NO.:	DWG NO.:	TITLE:
DATE:	SCALE:	<b>IMP-360 Impulse Master Controller with battery back up</b>
DWN.:	SIZE:	CLIENT:
<b>NM</b>	<b>A4</b>	<b>HERTZ ELECTRONICS</b>
COPYRIGHT: The drawing remains the property of Hertz Electronics and may not be used, copied, or reproduced, in whole or part in any form without written permission.		
1 8 R O S E S T R E E T, ANNANDALE NSW 2038 PH: -61-2-8205 0575 FAX: -61-2-9571 9754 email address: sale@hertzelectronics.com.au hertz web site: www.hertzelectronics.com.au		

**External Battery Pack**  
Dimensions:  
(W x H x D)  
84 x 64 x 31mm



**IMP-360  
Mini Master  
Controller**

**Impulse 360 Master Clock  
with battery back-up**

12/24VDC 150/75mA for up to 10x Slave Clocks  
max. ambient temperature: -20 - +70 deg C  
humidity: between 10 - 90% non condensing  
for indoor applications

Manual time setting via three position slide switch.  
Operation = 1x impulse per minute  
Stop = No impulse output  
Adjustment = 1x impulse every 3 seconds

Mains: 220/240VAC 50/60Hz, max. 7.5VA  
External Supply: 12/24VDC or rechargeable battery 75mAh  
Time Base: Quartz Crystal, accuracy: +/- 4 min/year at 20-21 deg. C  
Output protection: Electronic fuse and low voltage protection  
Impulse: Polereversing minute impulse, 1.5 sec duration  
Installation: Wall or DIN-Rail mounting  
Case Material: Grey thermo-plastic, RAL 7035, fire retardant  
Mounting Base: Reinforced glass fibre  
Dimensions: WxHxD 105 x 94 x 63mm  
Weight: approx. 400g