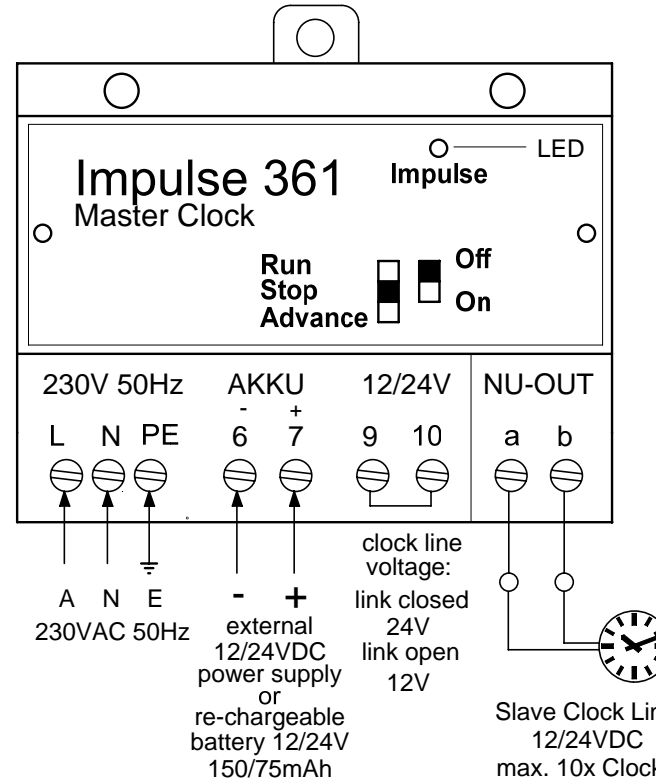
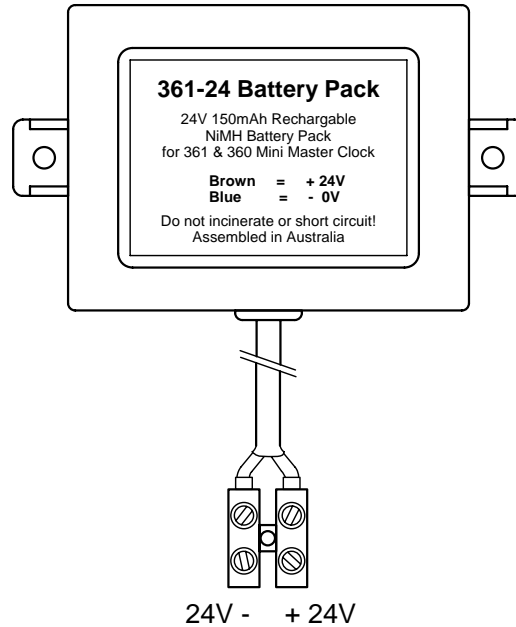


JOB NO.:	DWG NO.:	TITLE:
DATE:	SCALE:	IMP-361 Impulse Master Controller with battery back up
DWN.:	SIZE:	CLIENT:
NM	A4	COPYRIGHT: The drawing remains the property of Hertz Electronics P/L and may not be used, copied, or reproduced, in whole or part in any form without written permission.
539 GLENMORE ROAD, EDGECLIFF NSW 2027 PH: -61-2-9363 3029 FAX: -61-2-9327 7827 email address: sales@hertzelectronics.com.au hertz web site: WWW.hertzelectronics.com.au		

External Battery Pack
 Dimensions:
 (W x H x D)
 84 x 64 x 31mm



**IMP-361
Mini Master Controller**

Impulse 361 Master Controller - Specifications

Output Capacity: 12/24VDC 150/75mA for up to 10x Slave Clocks
 Ambient Temperature: max. -20 - +70 deg C
 Relative Humidity: between 10 - 90% non condensing
 Application: indoor, dust free, without exposure to sunlight.

Mains: 230VAC +/- 10% 50Hz, approx. 7.5VA short circuit proof
 External Supply: 12/24VDC or rechargeable battery 75mAh
 Time Base: Quartz Crystal, accuracy: +/- 5 min/year at 20-21 deg. C
 Output protection: Short circuit protected via electronic fuse
 Impulse: Alternating minute impulse, 3 sec duration
 Installation: Wall or DIN-Rail mounting
 Case Material: Grey thermo-plastic, RAL 7035, fire retardant
 Mounting Base: Reinforced glass fibre
 Dimensions: WxHxD 105 x 94 x 63mm
 Weight: approx. 400g

Manual time setting and daylight saving adjustment using the three position control switch:

Run = 1x impulse per minute
Stop = No impulse output
Advance = 1x impulse every 6 seconds