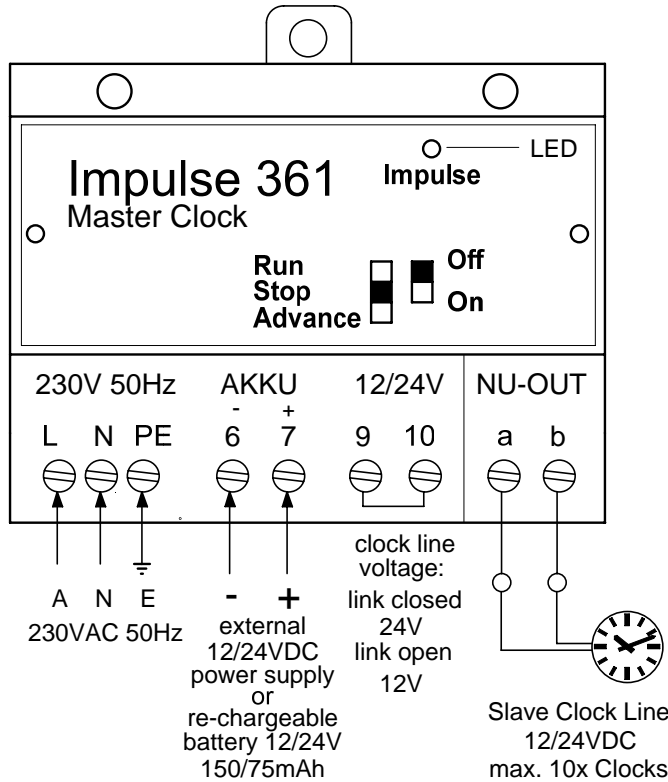


# IMP-361 Mini Master Controller - Operating Manual

- Slide the mains 'ON/OFF' switch into the 'OFF' position.
- Slide the 3-position control switch into the 'Stop' position.
- Wall mount the 361 mini master controller and plug in to 240VAC 50Hz mains power.
- Connect the external back-up battery to the 'AKKU' terminals. Attention: Observe polarity, otherwise the master will be damaged and warranty will be lost.
- Connect the wall clocks with the master's 'NU-OUT' terminal. Manually set all wall clocks to the same time, e.g. 12 o'clock. Wall clocks are connected in parallel.

- Slide the mains 'ON/OFF' switch to 'ON'
- Slide the 3-position control switch to 'Advance'.
- Advance the wall clocks approx. 5 minutes.
- Return the 3-position switch to 'stop'. Check, if all clocks are on the same time. If necessary, correct the clocks that are late manually. Reverse the clock plug to adjust polarity.
- Now bring the 3-position slide switch into 'Advance' until the wall clocks display the current local time plus one extra minute.
- Move the 3-position control switch into 'Stop'.
- Ring the Telecom talking clock. Wait for the clock to announce the exact time as displayed on the dials.
- With the third beep slide the 3-position control switch into 'Run' The master controller starts counting sixty minutes and steps the the hands forward every full minute. The master clock is equipped with a LED indicating the outgoing minute impulse.



Manual time setting and daylight saving adjustment using the three position control switch:

- Run** = 1x impulse per minute
- Stop** = No impulse output
- Advance** = 1x impulse every 6 seconds

## Impulse 361 Master Controller - Specifications

Output Capacity:	12/24VDC 150/75mA for up to 10x Slave Clocks
Ambient Temperature:	max. -20 - +70 deg C
Relative Humidity:	between 10 - 90% non condensing
Application:	indoor, dust free, without exposure to sunlight.
Mains:	230VAC +/- 10% 50Hz, approx. 7.5VA short circuit proof
External Supply:	12/24VDC or rechargeable battery 75mAh
Time Base:	Quartz Crystal, accuracy: +/- 5 min/year at 20-21 deg. C
Output protection:	Short circuit protected via electronic fuse
Impulse:	Alternating minute impulse, 3 sec duration
Installation:	Wall or DIN-Rail mounting
Case Material:	Grey thermo-plastic, RAL 7035, fire retardant
Mounting Base:	Reinforced glass fibre
Dimensions:	WxHxD 105 x 94 x 63mm
Weight:	approx. 400g

IMP-361 Mini Master Controller

JOB NO.:	DWG NO.:	TITLE:	<b>IMP-361 Mini Master Controller Operating Manual</b>
DATE:	SCALE:	CLIENT:	
DWG.:	SIZE:	COPYRIGHT:	The drawing remains the property of Hertz Electronics and may not be used, copied, or reproduced in whole or part in any form without written permission.
<b>NM</b>	<b>A4</b>		

1 8 R O S E S T R E E T, ANNANDALE NSW 2038  
 PH: -61-2-8205 0575 FAX: -61-2-9571 9754  
 email address: sale@hertzelectronics.com.au  
 hertz web site: www.hertzelectronics.com.au

**Hertz Electronics**  
A.B.N. 69086 661 014